

# INSTALLATION INSTRUCTIONS INSTALLATION INSTRUCTIONS

CARE AND USE MANUAL FOR:  
NOTICE D'UTILISATION ET D'ENTRETIEN POUR:

## WALL RANGE HOODS HOTTES MURALES



Models covered by this instructions:  
Notice d'instruction pour les modèles:

### SU107

\*\*\* BEFORE INSTALLATION \*\*\*

ENSURE THERE IS NO VISIBLE OR HIDDEN DAMAGE SUSTAINED DURING SHIPPING

\*\*\* AVANT L'INSTALLATION \*\*\*

S'ASSURER QUE LES PRODUITS N'ONT SUBI AUCUN DOMMAGE PENDANT LE TRANSPORT

\*\*\* SHIPPING DAMAGE \*\*\*

MUST BE REPORTED WITHIN 5 DAYS OF RECEIPT

\*\*\* DOMMAGES DE TRANSPORT \*\*\*

DOIVENT ÊTRE NOTIFIÉS DANS LES 5 JOURS SUIVANT LA RÉCEPTION



**Sirius**

# WARNING

---

*Thank you for purchasing a Sirius Range Hood.  
Please read all the instructions in this manual before  
installing the appliance.*

*Save these instructions for future reference.*

Only use this appliance as an exhaust ventilation system for the removal of cooking vapors. **DO NOT** use to expel flammable substances or any other materials or vapors.

The installation procedures in this manual are intended for qualified installers, service technicians or persons with similar qualified background.

**DO NOT** attempt to install this appliance yourself.

Ensure that electrical power is turned off at source before commencing installation. All electrical wiring must be properly installed, insulated and grounded and conform to all applicable codes and standards.

Make sure all existing duct work is clean of grease build up, or duct work should be replaced, if necessary, to avoid the possibility of a grease fire. Check all joints on ductwork to ensure proper connection and all joints should be properly taped. Be careful when cutting through ceilings or walls not to damage any hidden pipes or electrical wiring. Ensure your kitchen has sufficient air return vents to replace the exhausted air.

Fan ducts should always be vented to the outside of your home and never into spaces within walls, ceilings, lofts or attics. Only use rigid, smooth steel for ducting. The exhaust point of the blower requires a 6" round or 8" connection.

# TABLE OF CONTENTS

BEFORE YOU BEGIN	4
DUCTING	
External venting Requirements	4
ELECTRICAL	
Electrical Supply	5
INSTALLATION	
Positioning the Range Hood	6
Marking the Fixing Holes for the Range Hood	6
Fixing the Main Support Bracket	6
Hanging the Range Hood	7
Connecting Electricity and Ducting	7
Connecting Chimneys	9
Re-Circulating Requirements	9
OPERATING PROCEDURES	
General Advice	10
Functions	10
MAINTENANCE	
Cleaning the Filter	11
Cleaning the Hood	11
Substitution of the LED bar	11
WARRANTY SERVICE	12

# BEFORE YOU BEGIN

The manufacturer declines all responsibility in the event of failure to observe the instructions given here for installation, maintenance and suitable operation of the product. The manufacturer further declines all responsibility for injury due to negligence and the warranty of the unit automatically expires due to improper maintenance and/or installation.

**BEFORE YOU BEGIN:** It is advisable to test run the range hood before installation.

**BEFORE STARTING** – please read this entire document and ensure you are fully conversant with the requirements and limitations. These units weigh approximately 125lbs and therefore require a minimum of two people to install.

## DUCTING

(Not applicable if the range hood is used in re-circulating mode).

**WARNING:** Do not vent this appliance into any other ductwork, spaces between walls, ceilings, attics, garages or any other confined space.

### External Venting Requirements.

When planning new ductwork, always look for the most direct route to the outside. Venting can be done through the roof or directly through the back outside wall. (See Figure 1). Recommended 18" from the top of the hood to the first elbow.

Only use rigid type metal ducting (plastic ducting is generally not permitted by code). Flexible ducting could restrict airflow by up to 50%. Always fasten connections with sheet metal screws and tape all joints with certified Silver Tape or Duct Tape.

**Do not use screws to fasten ductwork to the hood,** only use tape as the screws will stop the dampers from opening and your hood will not work. This hood requires 8" for the models with 2 motors. You can increase the duct size of the duct run but never decrease it.

Use the shortest and most direct route possible. Always, wherever reduce the number of transitions and turns with as few sharp angles as possible.

Two staggered 45 degree angles are better than one 90 degree. Make these turns as far away from the motor exhaust as possible, with as much space between each bend as possible.

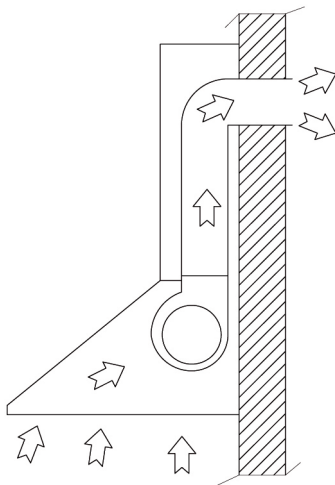


fig. 1

\* Gas range or gas cook top recommended 8”.

The ducting connection to the hood must be in line with the central vertical axis of the range hood 1” away from the back wall on which the hood is to be mounted. The 1” is important to enable the ceiling bracket (as shown in Figure 2) to pass behind the ductwork servicing the range hood.

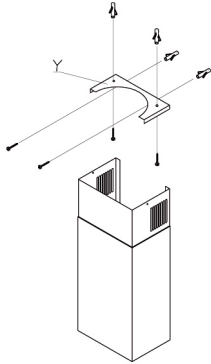


fig. 2

Range hoods may interrupt the proper flow of combustion gases from fireplaces, gas furnaces and gas water heaters.

To minimize the risk of drawing these lethal gases back into the home, please follow the heating equipment manufacturers safety standards and guidelines carefully.

Refer to NFPA and ASHRAE for additional information.

## ELECTRICAL

**WARNING: All electrical work must be performed by a qualified electrician.**

Please ensure that the appropriate electrical codes or prevailing local building codes and ordinances are adhered to.

Ensure that the electricity supply is disconnected at source. Do not use an extension cord or adapter plug with this appliance.

This appliance must be grounded. Connect to a properly grounded branch circuit, protected by a 15 amp circuit breaker.

### Electrical Supply.

This range hood requires a 120V, 60Hz supply and draws a maximum of 3 amps. The electrical supply to the range hood should be at least 17” from the underside of the installed range hood.

For a typical installation, where the underside of the range hood will be 30” above the counter top and the counter top is 36” above the floor level, the electrical supply should be 76” above floor level and no further than 3” to the right (as you face the wall) of the central axis of the range hood.

# INSTALLATION

## Positioning the Range Hood.

Determine the center point of the range hood. This is generally the center of the range. Make a mark on the wall a minimum of 25" above the top of an electric range. If the range is gas, the ideal minimum should be 30". Using a spirit level, draw a perfectly vertical line, starting at the center mark, right up to the ceiling or the highest point to where the hood will extend. This is the central axis for the range hood. Draw a horizontal line fractionally above where the bottom of the range hood will be positioned. This is the underside of the range hood.

## Marking the Fixing Holes for the Range Hood.

Find the marking template provided called the "Assembly Scheme". Place the template against the wall. Align the horizontal line on the wall with the horizontal line on the template (indicated by two heavy arrows). Now align the vertical line on the wall with the "Central Axis" line on the template.

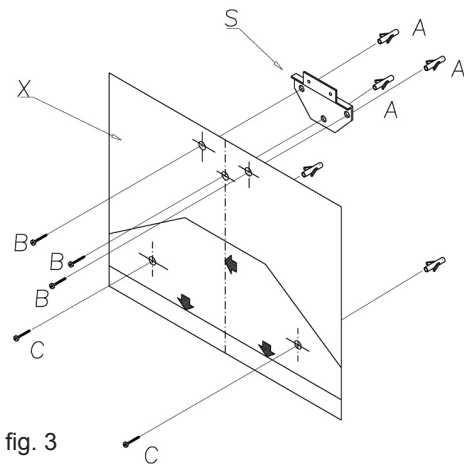


fig. 3

Gently tape the template to the wall making sure it has no creases or folds (use a tape that will not damage the wall finish). There are three hole positions shown for the wall bracket.

Using a sharp object, mark the wall through the template at the center point of the three holes. Lower down on the template, you will see three sets of two holes. Only two of these holes refer to your model. Check which model you have and, using a sharp object, mark the two correct holes. These holes are used to anchor the range hood horizontally from inside the hood once it has been hung from the main bracket. Remove the template.

## Fixing the Main Support Bracket

**(CAUTION: Do not drill through any utilities inside the wall).**

If the range hood will be fixed to drywall we strongly recommend that you discard the wall plugs and screws supplied. These anchors are only suitable for brick/masonry applications. We suggest the use of a more appropriate anchor system specifically designed for drywall applications. Wherever possible, it is advisable to place blocking between the studs, behind the drywall, to attach the support bracket to, (refer to Figure 4).

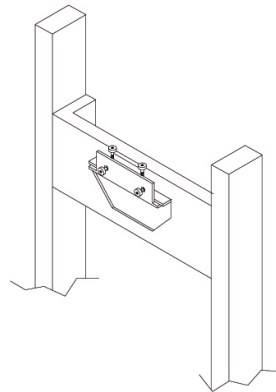


fig. 4

Drill the appropriate size holes at the marks made earlier and fix the Support Bracket ("S") securely to the wall. Ensure that any wall anchors have been fitted into the lower two holes, as the range hood will cover these holes once hung on the Support Bracket ("S").

### Hanging the Range Hood.

Prepare the range hood for installation. Remove all filters to ensure they do not get damaged during the installation process. Hang the range hood on the bracket "S" (refer to Figure 6).

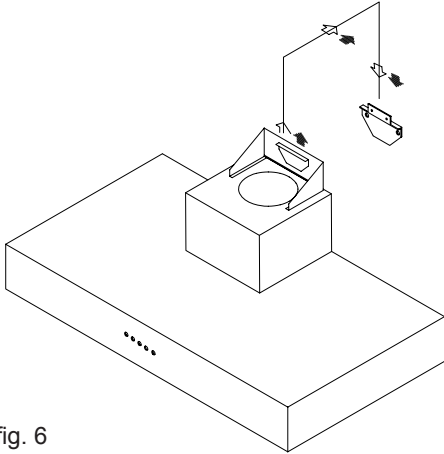


fig. 6

The bracket fixed onto the back of the range hood will drop into the channel on the top of bracket "S" on the wall. Ensure the hood is securely engaged into the support bracket the range hood must clip in behind the extended lip on the Support Bracket ("S").

"Lock" the range hood onto the "S" bracket using the four machine screws supplied (refer to Figure 7).

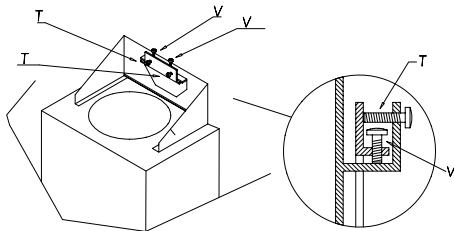


fig. 7

These screws are also used to make minor adjustments to the levelling of the range hood. Ensure the hood is level. Locate the two holes "C" inside the housing of the range hood and secure the range hood to the wall once the range hood is perfectly level and vertical. (refer to Figure 3).

### Connecting Electricity and Ducting.

Please refer to the Electrical Supply section on page 5 for the required location of the electrical supply.

**CAUTION:** Make sure the power is turned off at source. Make electrical connections (refer to Figure 8).

Ensure that the plastic flaps at the exhaust outlet for the fan move freely and have not become jammed or stuck.

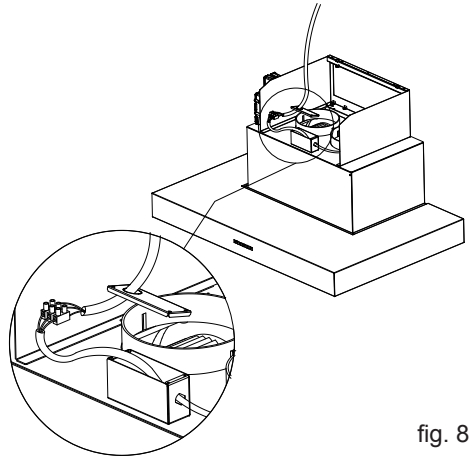


fig. 8

Connect the appropriate length of ducting to the fan exhaust point and join up with the ducting to the exterior.

Figure 9 shows venting directly through the wall. Venting up and through the ceiling to the exterior is also possible recommended to have 18" from the top of the hood to the first elbow.

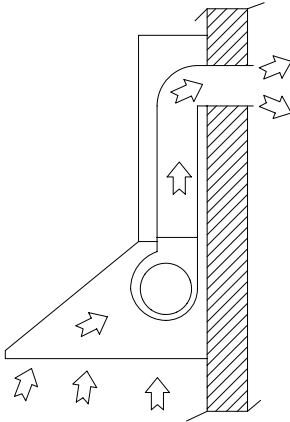


fig. 9

**Do not fix the ducting to the range hood exhaust outlet with screws-use duct tape.** Use duct tape on all joints.

The air outlet of the product is oriented upwards: in the case that one prefers the air outlet towards the rear side of the appliance, it is only necessary to replace the air release piece with the other one supplied with the appliance.

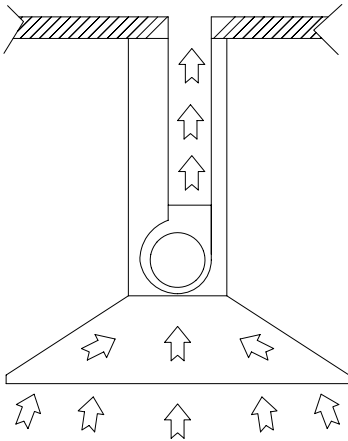
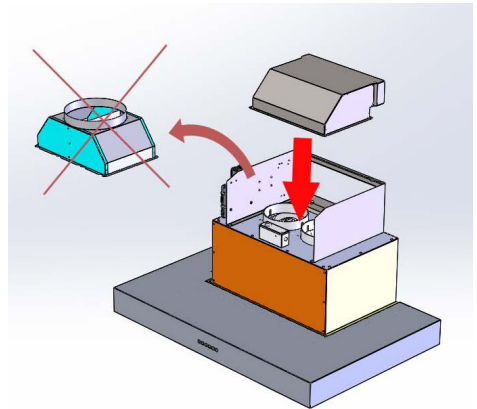


fig. 10



## Connecting Chimneys

Remove the protective covering from the decorative chimney and carefully slide the sections together. Do not remove the tape strips from inside the chimney as this protects the telescoping chimney-piece from scratching. Holding the two chimney sections together carefully position them over the ductwork and wiring. Position the upper chimney so that it can be fixed via the holes on the side of the 'Y' bracket on the ceiling (refer to Figure 11).

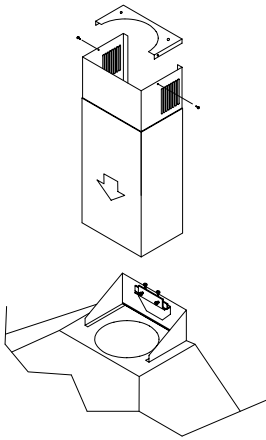


fig. 11

## Re-Circulating Requirements.

If the unit is to be used in the re-circulating mode, fit the carbon filter after the installation is complete fit the deflector with the screws supplied to the upper telescope chimney. There are holes in the back upper edge of the decorative chimney for this purpose. A short length of ducting is connected between the exhaust outlet on the fan and the deflector to direct the air back into the kitchen through the vents at the top of the upper decorative chimney.

The carbon filter (supplied separately) that absorbs odors is installed behind the aluminium grease filter (refer to Fig 14).

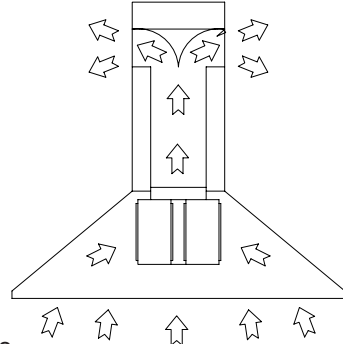


fig. 12

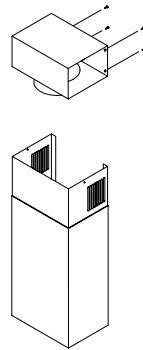


fig. 13

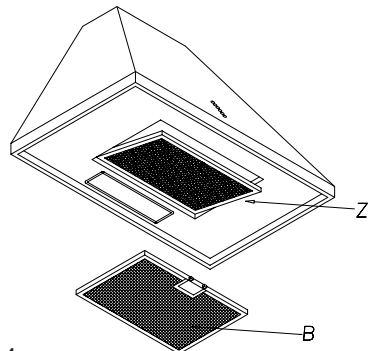


fig. 14

# OPERATING PROCEDURES

Read all the instructions before operating the appliance. Save these instructions for future reference.

## General Advice.

Ensure that the grease filters are in place. Without these components, operating blowers could catch on to hair, fingers and loose clothing. Keep fan, filters and surfaces clean of grease and fat. Always turn hood fan ON when cooking. NEVER leave cooking unattended.

NEVER dispose cigarette ashes, ignitable substances or any foreign objects into blowers.

Cooking that generates flame is not recommended as this hood is equipped with a thermal overload that will shut down the motor if it senses excessive heat. When frying, oil in the pan can easily overheat and ignite. Heat oil slowly in an appropriately sized pot (covering the entire burner) to reduce the risk of boiling over and burning.

In the event of a range top grease fire, observe the following:

Switch OFF the range hood. Turn off the cook top then smother flames with a close fitting lid, cookie sheet or other metal tray. If the flames do not go out immediately.

**EVACUATE AND CALL THE FIRE DEPARTMENT.**

Never pick up a flaming pan – you may be burned. DO NOT USE WATER including wet dishcloths or towels, as a violent steam explosion may occur.

## FUNCTION

### “Manual touch buttons Fig.15”.

- A: Light ON/OFF button
- B: Blower Speed 1 (low) or OFF
- C: Blower Speed 2 (medium)
- D: Blower Speed 3 (high)
- E: Blower Speed 4 (intensive)
- F: 10 Minute Timer

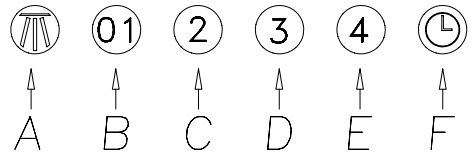


fig. 15

The products are endowed with an electronic device which allows the automatic switching off after 4 hours working from the last operation.

**SU Models only:** Filter requires washing indicator After 30 hours of use, all the buttons will light up to remind you that the grease filter should be cleaned. Follow the instructions for cleaning filters in this booklet. Once the grease filters have been cleaned and replaced, reset by pressing the timer button (F).

Do not rely solely on this indicator - generally, the grease filter should be washed on a regular basis to avoid grease filter fires.

The blower should be turned on for approximately 5 minutes before cooking in order to establish air currents upward through the hood.

Use the low speeds for normal use and the higher speeds for strong odors and fumes.

# MAINTENANCE

The range hood should provide many years of trouble free use provided it is properly maintained. Be sure the lights are cool before cleaning the hood - they are halogen and become extremely hot.

## **Cleaning the Filter.**

The aluminium mesh filters should be washed by hand or in the dishwasher as required. Damaged and worn filters must be replaced immediately. (Do not operate blower when filters have been removed). Allow filters to dry before replacing them, otherwise water will be drawn into the blower.

If a carbon filter has been fitted, this must be replaced every 6 months as a minimum, depending on usage and type of cooking that is performed.

It is suggested that a spare set of carbon filters is kept on hand. These can be ordered from the supplier of your range hood.

## **Cleaning the Hood**

The outside and interior of your hood should be wiped regularly with a clean, damp cloth and mild household dish detergent or degreaser.

Use a good quality non-abrasive foaming type stainless steel cleaner for exterior surfaces.

Follow the manufacturers directions. Generally the foam is sprayed onto a clean dry cloth and then applied to the stainless steel. Allow the foam to react on the surface for a few minutes and then wipe with a clean dry cloth.

On the surfaces that are exposed directly to heat from the cook-top, it is advisable to clean these regularly to avoid the deposits from becoming baked on.

Do not use abrasive cleaning agents as these will destroy the brushed finish.

## **Substitution of the LED bar:**

Using an appropriate tool, remove the LED bar from its seat (refer to Fig. 21), disconnect it electronically using the appropriate connector then substitute it with a LED bar with same characteristics.

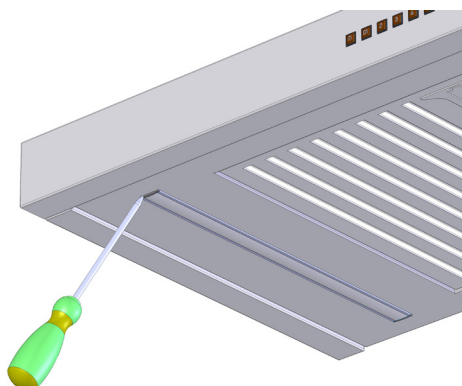


fig. 21

# Sirius

**YOU MUST REGISTER THE PURCHASE OF YOUR PRODUCT ON LINE AT HYPERLINK  
“<http://www.siriuscappe.com/canada/warranty.htm>” TO CONVALIDATE YOUR WARRANTY.**

**YOU CAN FIND THE DATA OF YOUR HOODS ON A LABEL INSIDE THE HOOD. JUST REMOVE  
THE GREASE FILTER TO READ IT.**

## WARRANTY SERVICE

To qualify for warranty service, you must notify Sirius After sale service at the email address stated below or call toll free in Canada 1-800-463-2566 and provide the model number, description of the fault or defect and original date of purchase. Sirius reserves the right to request proof of original purchase. Sirius will at its sole option and discretion replace products that arrive damaged through shipping, provided shipping damage is reported as stated above within 5 business days of receipt of the shipped product or products.

## ONE YEAR PARTS & SERVICE REPAIR WARRANTY:

During the first year from date of original purchase, Sirius will, at its option, repair or replace, without charge, any product or part which is found to be defective under normal use and service.

## WHO IS COVERED:

Sirius Range Hoods warrants to the original consumer purchaser of its products that such products will be free from defects in materials and workmanship for a period of one year from the original date of purchase. There are no other warranties, express or implied, including, but not limited to, implied warranties of merchantability or fitness for a particular purpose or application.

## WHAT IS NOT COVERED:

This warranty does not extend to filters, lamps, batteries, ducts and ductwork components. This warranty does not cover normal maintenance and service or products or parts which have been subject to misuse, negligence, accident, improper maintenance or repair, faulty installation or installation contrary to recommended installation instructions. The warranty on glass screens is limited to manufacturing defects only and expressly excludes cracks and breakages as a result of faulty installation. *Labor and associated costs associated directly with removal and re-installation are expressly excluded.*

The duration of any implied warranty is limited to the one year period as specified for the express warranty. Some states and provinces do not allow limitation on how long an implied warranty lasts, so the above limitation may not apply to you.

For any service request please contact:

Sirius after sale service

Telephone (toll free):1-800-463-2566.

## Sirius S.P.A.

Zona industriale Berbentina 6/A

60041 SASSOFERRATO (AN)

ITALY

Register Online! [www.siriuscappe.com/canada/warranty.htm](http://www.siriuscappe.com/canada/warranty.htm)

# INSTRUCTIONS IMPORTANTES POUR LA SÉCURITÉ

*Merci d'avoir choisi une Hotte de Cuisine Sirius.  
Veuillez lire attentivement toutes les instructions avant  
l'installation et l'utilisation de l'appareil.*

*Conservez ces instructions afin de pouvoir les consulter  
au besoin.*

Cet appareil est destiné à la ventilation générale seulement. **NE L'UTILISEZ PAS** pour évacuer des vapeurs ou des substances dangereuses ou explosives.

Confiez l'installation et les réparations uniquement à un professionnel, conformément aux normes de sécurité en vigueur.

**N'ESSAYEZ PAS** d'installer cet appareil par vous-même.

Avant l'installation veillez que l'appareil soit hors tension.

Tout le câblage électrique doit être correctement installé, isolé de mise à la terre conformément aux codes et aux normes applicables.

Assurez-vous que les conduits d'évacuation sont propres et libres d'accumulation de graisses ou remplacez les conduits pour éviter de provoquer un incendie.

Vérifiez que tous les joints du conduit sont bien fixés et scellés. Faites attention lors des travaux de maçonnerie de ne pas endommager des tuyaux ou câbles électriques. Assurez-vous que votre cuisine est équipée de bouches de ventilation qui évacuent l'air vicié.

Le conduit de ventilation doit toujours terminer à l'extérieur et jamais dans des espaces clos, plafonds ou greniers. Pour le conduit utilisez seulement des éléments rigides en acier lisse. La sortie de la soufflante nécessite d'un conduit rond de 6". Ou Huit pouces (ou 8").

# TABLE DES MATIÈRES

AVANT DE COMMENCER	15
CONDUIT	
Version évacuation extérieure	15
ÉLECTRICITÉ	
Alimentation Électrique	16
INSTALLATION	
Positionnement de la Hotte	17
Perçage du Mur pour le Positionnement de la Hotte	17
Fixation Étrier de Support Principal	17
Accrochage de la Hotte	18
Branchement Électrique et Conduit	18
Raccordement de la Cheminée	20
Mode Recyclage	20
OPERATING PROCEDURES	
Recommandations Générales	21
Fonctions	21
ENTRETIEN	
Nettoyage des Filtres	22
Nettoyage de la Hotte	22
Remplacement de la barre LED	22
SERVICE DE GARANTIE	24

# AVANT DE COMMENCER

Le fabricant décline toute responsabilité en cas de dommages causés par un non respect des instructions d'installation, d'utilisation et d'entretien contenues dans cette notice. Le fabricant décline toute responsabilité causée par négligence et la garantie cesse automatiquement en cas de mauvais entretien et/ou installation du produit.

**AVANT DE COMMENCER : On conseille de vérifier le fonctionnement de la hotte avant son installation.**

AVANT DE COMMENCER - Lisez attentivement cette notice afin d'avoir les connaissances requises pour utiliser ce produit. Ce produit pèse env. 125lbs et nécessite donc un minimum de deux personnes pour son installation.

# CONDUIT

(Ne s'applique pas si la hotte est en mode Recyclage).

**REMARQUE :** Ne branchez jamais ce produit à un autre conduit d'évacuation, des espaces entre deux murs, plafonds, greniers, garages ou espaces clos.

## Version évacuation extérieure.

Lors du montage du conduit d'évacuation, cherchez la voie la plus directe vers l'extérieur. Le conduit peut évacuer l'air par le toit ou directement par le mur extérieur. (Voir Fig. 1). Il est recommandé une distance de 18 pouces, à partir du sommet de la hotte jusqu'au premier coude.

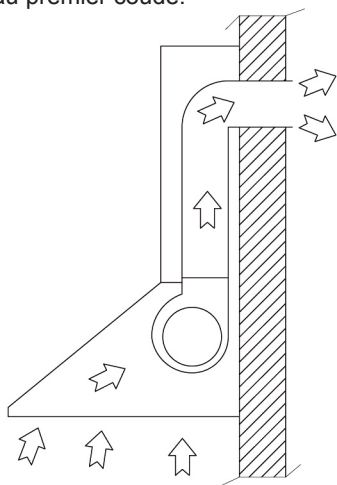


fig. 1

Utilisez seulement des tuyaux rigides en métal (les tuyaux en plastiques sont interdits par le code).

Les conduits flexibles limitent le flux d'air de 50%. Fixez toujours les raccords avec des vis en tôle et isolez tous les joints avec du ruban adhésif métallique (ou pour conduit).

**N'utilisez pas des vis pour fixer le conduit à la hotte;** utilisez uniquement du ruban adhésif, du moment que les vis peuvent empêcher l'ouverture des clapets anti retour et en ce cas la hotte ne fonctionnera pas.

Cette hotte nécessite d'un conduit d'évacuation de 8" pour les modèles avec 2 moteurs. Il est possible d'utiliser un conduit plus grand, mais pas un plus petit.

Optez pour la voie la plus courte et la plus directe. Evitez, si possible, le nombre des raccords et des coudes.

Il est préférable d'utiliser deux coudes de 45° plutôt qu'un coude de 90°. Positionnez les coudes loin de l'échappement du moteur et évitez de les positionner trop près les uns des autres.

\* Gaz fourneau ou gaz cuisinière recommandé: 8 pouces.

Le raccordement du conduit à la hotte doit être en ligne avec l'axe centrale verticale de la hotte de 1" et loin du mur postérieur sur lequel la hotte sera positionnée. La mesure 1" est importante pour permettre au support de plafond (voir Fig. 2) de passer derrière le conduit de la hotte.

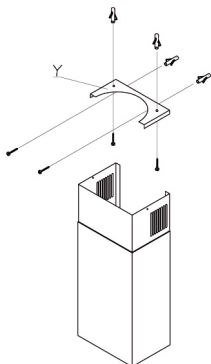


fig. 2

Les hottes peuvent empêcher la bonne évacuation des fumées des cheminées, des fours et des chauffe-bains à gaz.

Afin de minimiser le risque que ces gaz mortels peuvent retourner dans la maison, observez les normes de sécurité et les directives en vigueur.

Consultez les normes NFPA et ASHRAE pour plus d'informations.

## ÉLECTRICITÉ

**ATTENTION : Tous les travaux électriques doivent être effectués par un électricien qualifié.**

Afin d'assurer la qualité des travaux de construction et d'électricité observez les normes en vigueur.

Assurez-vous que l'alimentation électrique est coupée. Évitez d'utiliser une rallonge ou un adaptateur pendant cette opération.

Cet appareil doit être mis à la terre et le circuit doit être protégé par un disjoncteur de 15 amp.

### **Alimentation Électrique.**

Cet appareil nécessite 120V/60Hz, une alimentation de 3amp. L'alimentation électrique se doit trouver au moins à 17" du dessous de la hotte installée.

Pour une installation type, où la distance entre la partie inférieure de la hotte et la surface de la table de travail est de 30" et la distance entre la table de travail et le sol de 36", l'alimentation électrique se doit trouver à 76" du sol et pas plus de 3" à droite (en regardant le mur) par rapport à l'axe centrale de la hotte.



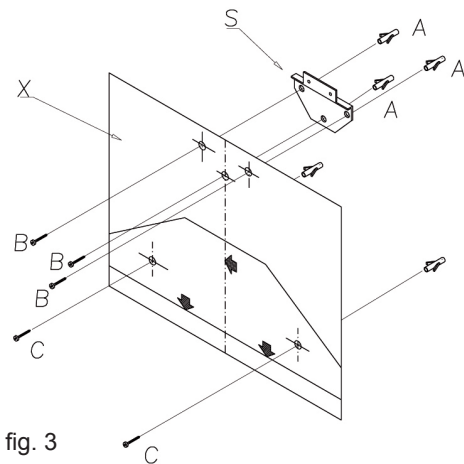
# INSTALLATION

## Positionnement de la Hotte.

Déterminez le centre de la hotte. Marquez d'une croix sur le mur la hauteur de 25" si votre table de cuisson est électrique et une hauteur minimale de 30" si votre table de cuisson est à gaz. En utilisant un niveau à bulle tracez une ligne parfaitement verticale, à partir du centre vers le plafond ou vers le point le plus élevé où positionner votre hotte. C'est l'axe central de la hotte. Tracez une ligne horizontale où le bas de la hotte sera positionné. Il s'agit de la partie inférieure de la hotte.

## Perçage du Mur pour le Positionnement de la Hotte:

Prenez le gabarit de perçage fourni, appelé « Schéma de Montage ». Placez le gabarit contre le mur. Alignez la ligne horizontale du mur avec la ligne horizontale du gabarit (indiquée par les deux flèches). Maintenant alignez la ligne verticale du mur avec la ligne de l'« axe central » du gabarit.

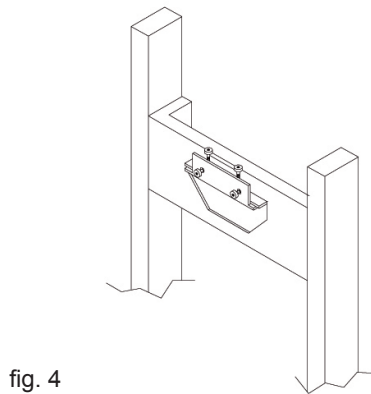


Appliquez doucement le gabarit sur le mur en vous assurant qu'il est lisse et sans plis (utilisez un ruban adhésif qui n'endommage pas la finition du mur). Il y a trois positions de perçage pour le support mural.

Utilisez un outil pointu, marquez le mur par le gabarit au point milieu des trois trous. Au bas du gabarit, il y a trois séries de deux trous. Seulement deux de ces trous se réfèrent à votre modèle. Vérifiez quel modèle vous avez et, toujours en utilisant un outil pointu, marquez les deux trous justes. Ces trous servent pour l'ancrage de la hotte horizontalement par l'intérieur de la hotte, une fois qu'elle a été positionnée sur le support principal. Retirez le gabarit.

## Fixation Étrier de Support Principal (ATTENTION de ne pas endommager les conduites).

Si vous fixez la hotte sur du plâtre, on vous conseille vivement d'enlever/éliminer les chevilles et les vis fournies. Ces ancrages ne conviennent que pour une utilisation avec briques/maçonnerie. On vous conseille d'utiliser un système d'ancrage plus adapté et spécifiquement conçu pour la plaque de plâtre. Autant que possible, il est préférable d'utiliser des blocages entre les poutres, derrière la plaque de plâtre, pour y fixer l'étrier de support (voir Fig. 4).



Percez le mur aux endroits précédemment marqués et fixez bien l'étrier au mur. Assurez-vous que les chevilles ont été insérées dans les deux trous inférieurs, ainsi la hotte les couvrira une fois qu'elle est positionnée sur l'étrier ("S").

### Accrochage de la Hotte.

Préparez la hotte pour son accrochage. Enlevez les filtres pour ne pas les endommager pendant l'installation. Accrochez la hotte sur l'étrier de support "S" (voir Fig. 6).

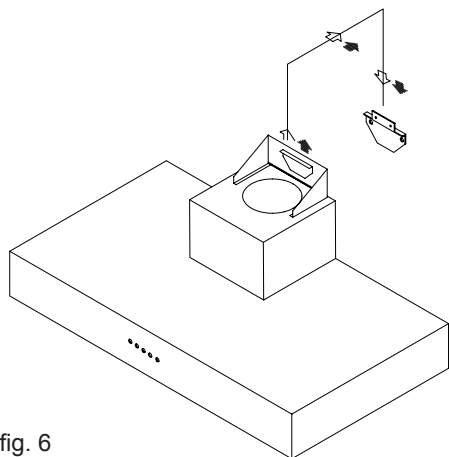


fig. 6

L'étrier fixé à la partie postérieure de la hotte se glisse dans la rainure de la partie supérieure de l'étrier de support "S" du mur. Assurez-vous que la hotte est correctement insérée dans l'étrier de support - la hotte doit s'accrocher derrière le bord étendu de l'Étrier de Support ("S").

Fixez la hotte à l'étrier "S" avec les 4 vis à métaux fournies (voir Fig. 7).

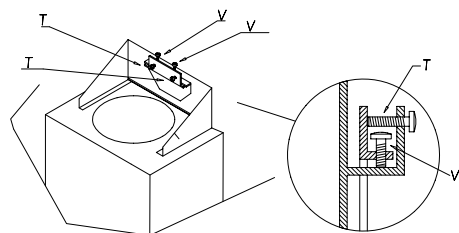


fig. 7

Ces vis sont également utilisées pour apporter des modifications mineures au nivellement de la hotte. Assurez-vous que la hotte est à niveau. Localisez les deux trous pour vis "C" à l'intérieur de la hotte et fixez-la au mur en vous assurant qu'elle est parfaitement à niveau (voir Fig. 3).

### Branchement Électrique et Conduit.

Faites référence au paragraphe Alimentation Électrique à la page 5 pour l'endroit où effectuer le branchement.

**ATTENTION :** Assurez-vous que l'alimentation est coupée. Effectuez le raccordement électrique (voir Fig. 8).

Veillez à ce que les volets en plastiques de la sortie des fumées se bougent librement et qu'ils ne sont pas bloqués ou coincés.

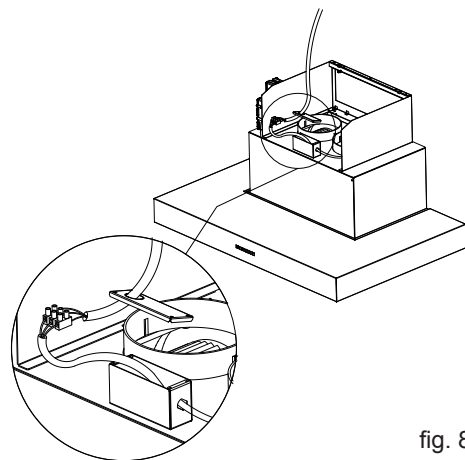


fig. 8

Raccordez le conduit de longueur appropriée à la sortie d'air du ventilateur et puis au conduit qui porte à l'extérieur.

La figure 9 montre l'évacuation à travers le mur. Une évacuation par le plafond est également possible. Il est recommandé une distance de 18 pouces, à partir du sommet de la hotte jusqu'au premier coude.

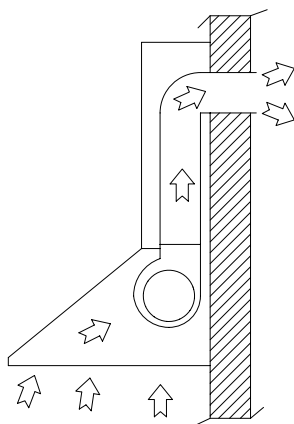


fig. 9

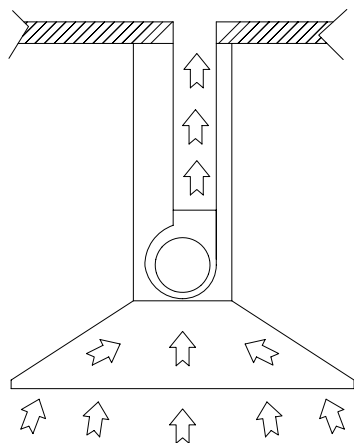
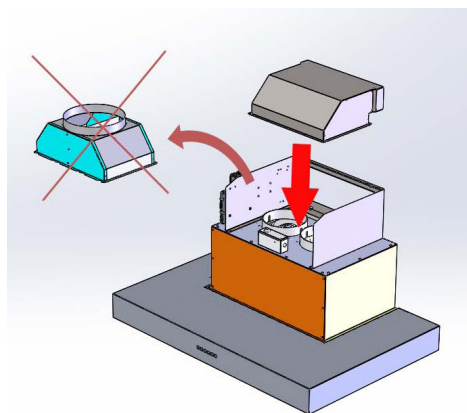


fig. 10

**Ne fixez jamais le conduit à la sortie d'évacuation de la hotte avec des vis - utilisez uniquement du ruban adhésif.** Utilisez uniquement du ruban adhésif pour tous les joints.

La sortie de l'air du produit est dirigée vers l'haut: dans le cas où on préfère une sortie vers la partie postérieure de la hotte, il faut seulement remplacer le raccord par l'autre, fourni dans l'équipement.



### Raccordement de la Cheminée.

Enlevez la protection de la cheminée décorative et faites glisser soigneusement les sections ensemble. N'enlevez pas les bandes adhésives à l'intérieur de la cheminée car ils protègent le télescope contre les rayures. Tenez les deux sections de la cheminée et positionnez-les sur le conduit et le câblage. Positionnez la cheminée supérieure de façon qu'elle puisse être fixée par les trous pour vis du support "Y" au plafond (voir Fig. 11).

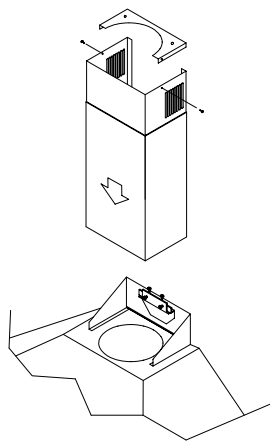


fig. 11

### Mode Recyclage.

Si vous utilisez l'appareil en mode recyclage, insérez les filtres à charbon une fois l'installation complétée (voir Fig. 12). Fixez le déflecteur (voir Fig. 13) avec les vis à la partie supérieure du télescope de la cheminée. A ce propos, il y a des trous pour vis sur l'arrière de la cheminée décorative. Un conduit court se trouve entre la sortie d'évacuation et le déflecteur pour diriger l'air dans la cuisine à travers des orifices d'air qui se trouvent sur la partie supérieure de la cheminée décorative.

Le filtre à charbon (fourni séparément) qui absorbe les odeurs, se trouve derrière le filtre à graisse en aluminium (voir Fig. 14).

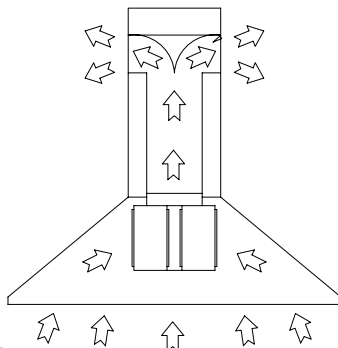


fig. 12

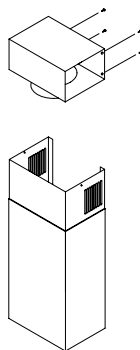


fig. 13

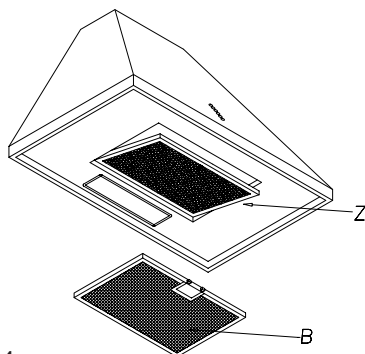


fig. 14

# OPERATING PROCEDURES

Lisez attentivement toutes les instructions avant cette opération. Conservez ces instructions afin de pouvoir les consulter au besoin.

## Recommandations Générales.

Assurez-vous que les filtres sont en place. Sans ces filtres, l'appareil peut aspirer vos cheveux, doigts ou vêtements.

Maintenez propre de graisse le ventilateur, les filtres et les surfaces. Mettez TOUJOURS en marche la hotte pendant la cuisson. Ne laissez JAMAIS des aliments cuire sans surveillance.

Ne jetez JAMAIS les cendres de cigarettes, des substances inflammables ou autres objets étrangers dans le ventilateur.

Évitez une cuisson qui peut générer des flammes, car la hotte est équipée d'un détecteur thermique qui arrête le moteur à une chaleur excessive.

Lorsque vous faites des fritures, l'huile dans la poêle peut facilement se surchauffer et s'enflammer. Faites chauffer l'huile lentement dans une casserole de taille appropriée (couvrant entièrement le brûleur) réduisant ainsi le risque de la faire déborder et s'enflammer.

Dans le cas où l'huile s'enflamme, observez ce qui suit:

Eteignez la hotte. Eteignez la table de cuisson et étouffez les flammes avec un couvercle hermétique, une tôle à biscuits ou autre plateau métallique. Si les flammes ne s'éteignent pas immédiatement.

**SORTEZ ET APPELEZ LES POMPIERS.**

Ne ramassez jamais une casserole enflammée – vous pouvez vous brûler. N'UTILISEZ JAMAIS DE L'EAU, y compris des serviettes ou lavettes mouillées, car une explosion peut se produire.

## FONCTIONS

### “Touches Sensitives Fig.15”.

- A: Touche lumière ON/OFF
- B: Vitesse ventilateur 1 (réduite) ou OFF
- C: Vitesse ventilateur 2 (moyenne)
- D: Vitesse ventilateur 3 (élevée)
- E: Vitesse ventilateur 4 (intensive)
- F: Minuterie 10 min

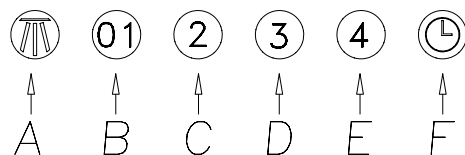


fig. 15

Les produits sont dotés d'un appareil électronique, qui permet l'éteindre automatique depuis 4 heures d'activité de la dernière opération.

**Seulement pour modèle SU:** Après 30 heures de fonctionnement de la hotte, tous les voyants clignotent pour vous rappeler que les filtres à graisse doivent être nettoyés. Suivez les indications pour le nettoyage dans cette notice. Une fois nettoyés et remplacés les filtres, réinitialisez en appuyant sur la touche Timer (F).

Ne comptez pas uniquement sur cet indicateur. Généralement, les filtres à graisse doivent être nettoyés régulièrement, afin d'éviter toute incendie de graisse.

Allumez la hotte env. 5 minutes avant la cuisson, afin d'établir des courants d'air vers le haut et à travers la hotte. Utilisez les vitesses basses pour une utilisation normale et les vitesses élevées pour les odeurs fortes et les fumées.

# ENTRETIEN

Un entretien soigné garantit un bon fonctionnement et un bon rendement dans le temps. Assurez-vous que les ampoules sont froides avant de nettoyer la hotte - les ampoules halogènes deviennent très chaudes.

## **Nettoyage des Filtres.**

Lavez les filtres à maille en aluminium à la main ou au lave-vaisselle. Remplacez immédiatement les filtres usagés ou endommagés. N'utilisez jamais la hotte sans ses filtres. Avant de replacer les filtres, assurez-vous qu'ils sont bien secs pour ne pas endommager le ventilateur.

Remplacez le filtre au moins tous les 6 mois, selon le type et la fréquence des cuissons.

Nous vous suggérons de garder des filtres de recharge. Vous pouvez les commandés auprès le fournisseur de votre hotte.

## **Nettoyage de la Hotte.**

Nettoyez l'intérieur et l'extérieure de la hotte avec un chiffon propre et du détergent doux. Utilisez un détergent non abrasif sous forme de mousse pour les parties en acier. Lisez les instructions du fabricant.

Généralement on conseille de vaporiser le détergent sur un chiffon propre et de le passer sur les parties en acier inoxydable.

Laissez agir le produit sur la surface pendant quelques minutes, puis nettoyer avec un chiffon.

Sur les surfaces qui sont exposées directement à la chaleur, on conseille de les nettoyer régulièrement pour éviter des taches indélébiles.

N'utilisez jamais un produit abrasif qui peut rayer et endommager l'acier.

## **Remplacement de la barre LED :**

En utilisant un outil approprié, enlever la barre LED de son siège (faites référence à la Fig. 21), déconnecter – la électroniquement en utilisant le connecteur approprié et puis la remplacé avec une barre LED avec les mêmes caractéristiques.

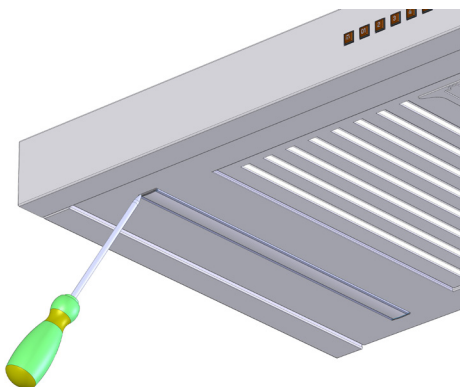


fig. 21



# Sirius

IL EST NÉCESSAIRE D'ENREGISTRER EN LIGNE L'ACHAT DE VOTRE PRODUIT AU SITE HYPERLINK <http://www.siriuscappe.com/canada/warranty.htm> POUR VALIDER LA GARANTIE.

VOUS TROUVEZ LES DONNÉES DE VOTRE HOTTE SUR L'ÉTIQUETTE À L'INTÉRIEUR DE LA HOTTE. POUR LA LIRE, RETIREZ SIMPLEMENT LE FILTRE A GRAISSE.

## SERVICE DE GARANTIE

Pour bénéficier du service de garantie, informez le Service Après Vente Sirius à l'adresse e-mail ci-dessous ou appelez le numéro gratuit CANADA 1-800-463-2566 et fournissez le code du produit, la description du vice ou du défaut et la date d'achat du produit. Sirius se réserve le droit de demander une preuve d'achat. Sirius, à sa propre discrétion, remplacera les produits endommagés pendant le transport, à condition que le dommage dû au transport est signalé comme susmentionné, c'est-à-dire **DANS LES 5 JOURS DE TRAVAIL APRÈS RÉCEPTION** du produit ou des produits expédiés.

## GARANTIE D'UN AN POUR LE SERVICE DE RÉPARATION:

Pendant la première année dès la date d'achat de votre produit, Sirius, à sa discrétion, réparera ou remplacera gratuitement tout produit ou pièce qui s'avère défectueux dans des conditions normales d'utilisation et d'entretien.

## QUI EST COUVERT PAR LA GARANTIE:

Sirius Range Hoods garantit à l'acheteur original que tous ses produits commerciaux sont libres de tout défaut de matériel et de fabrication, pour la durée d'un an à partir de la date d'achat. Il n'existe aucune autre garantie, expresse ou tacite, y compris mais sans s'y limiter, aucune garantie de qualité commerciale ou d'adaptation à une utilisation particulière.

## QU'EST-CE QUI N'EST PAS COUVERT PAR LA GARANTIE:

Cette garantie ne couvre pas les filtres, lampes, batteries, tuyaux et composants du conduit. Cette garantie ne couvre pas l'entretien normal et le service après-vente technique standard, produits ou pièces endommagées résultant d'une mauvaise utilisation, acte de négligence, accident, entretien ou réparation impropre, installation erronée ou installation contraire aux instructions d'installation recommandées. La garantie sur les pièces/écrans en verre est limitée uniquement aux vices de fabrication et exclut expressément toute rayure ou rupture résultant d'une mauvaise utilisation. Les frais de la main-d'oeuvre et ceux qui sont directement associés au démontage et au remontage sont expressément exclus.

La durée de toute garantie implicite est limitée à un an, ainsi que spécifié par la garantie explicite. Certains états et certaines provinces ne permettent pas de limitations quant à la durée d'une garantie implicite, par conséquent les limitations ci-dessus peuvent ne pas s'appliquer à vous.

Pour toutes informations merci de contacter :

Sirius service après-vente

Téléphone (gratuit) 1-800-463-2566.

## Sirius S.P.A.

Zona industriale Berbentina 6/A

60041 SASSOFERRATO (AN)

ITALY