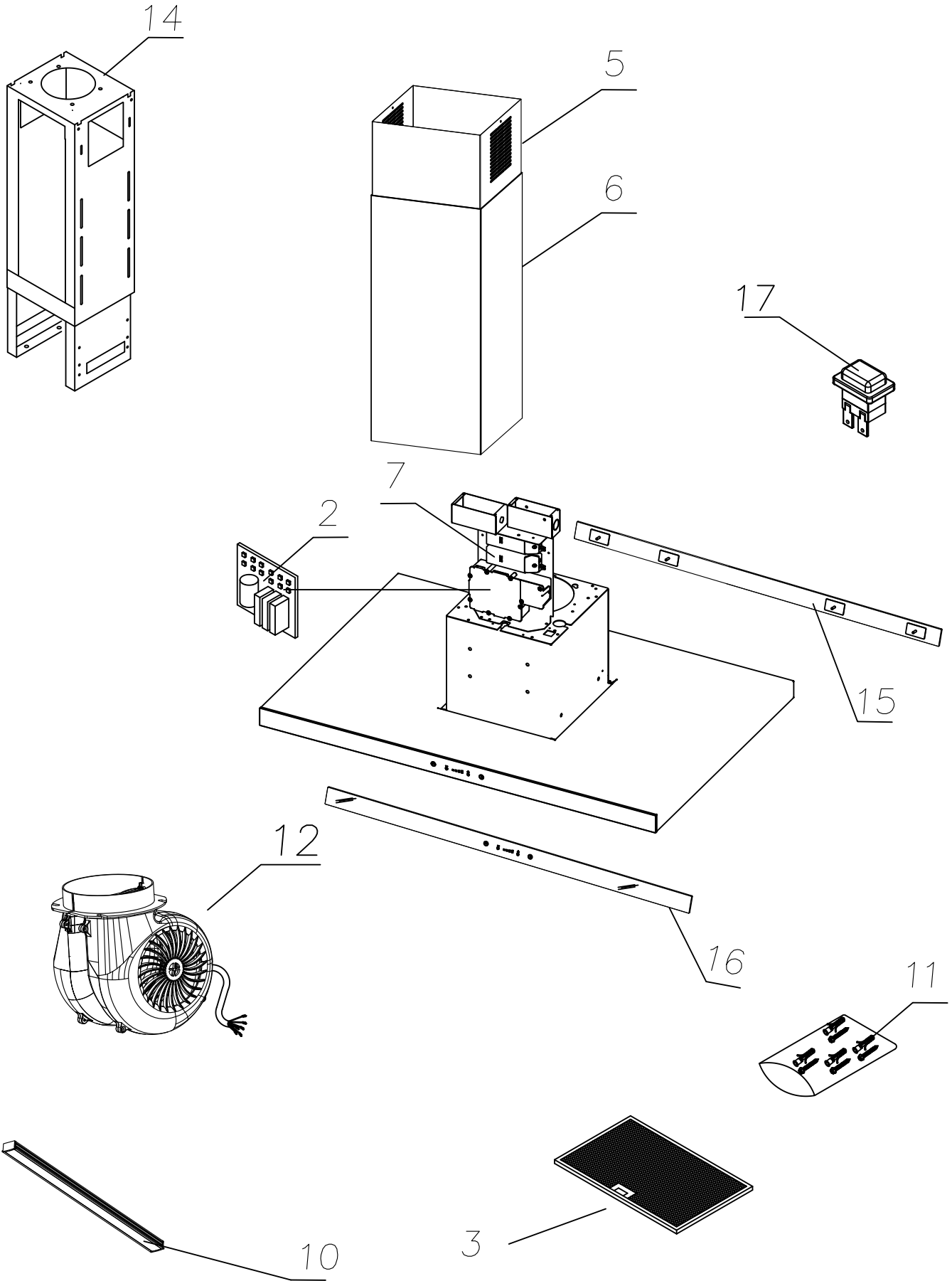


SIUTC 24



DEUSA000072