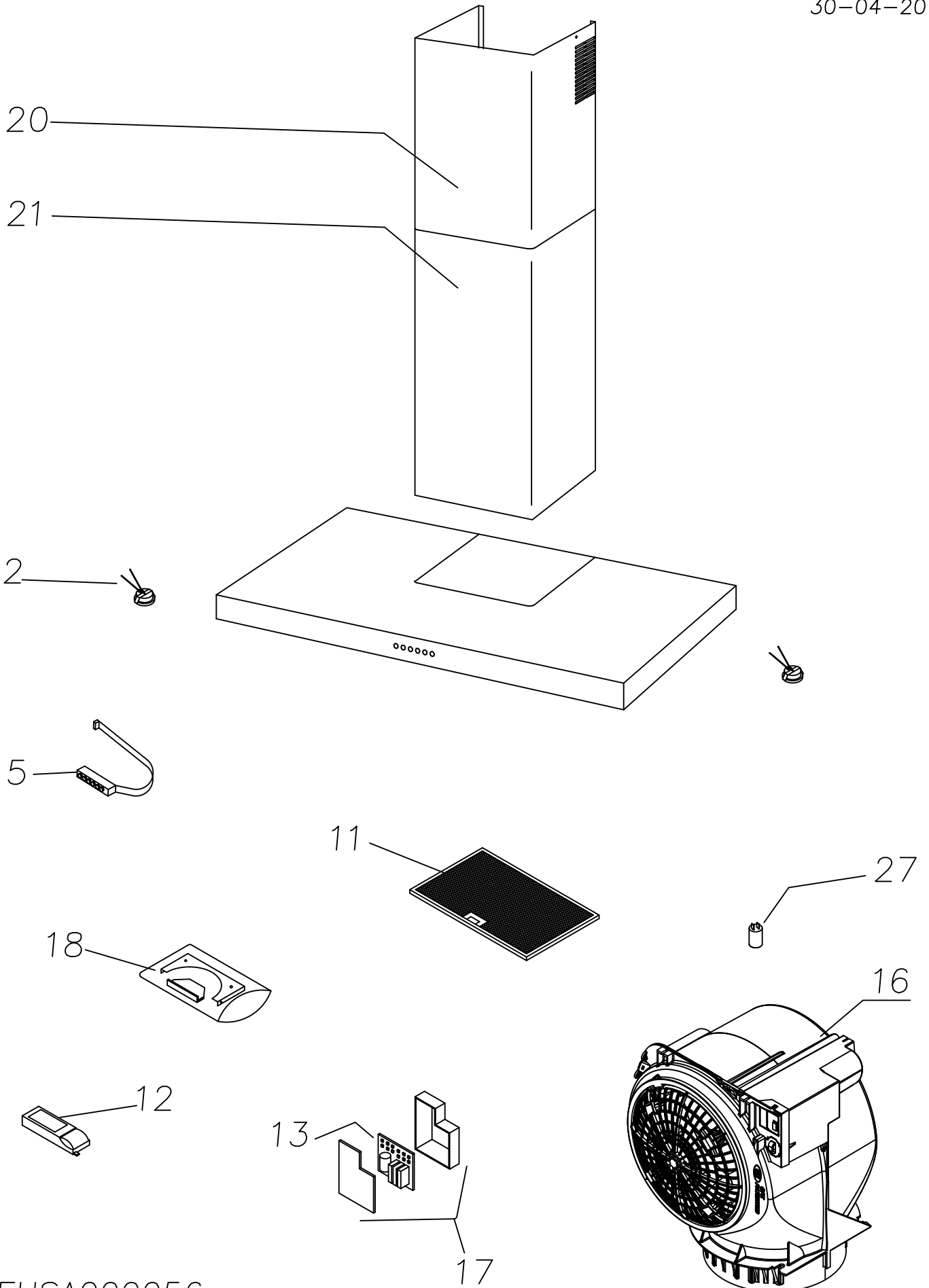


SU31



30-04-2019



DEUSA000056