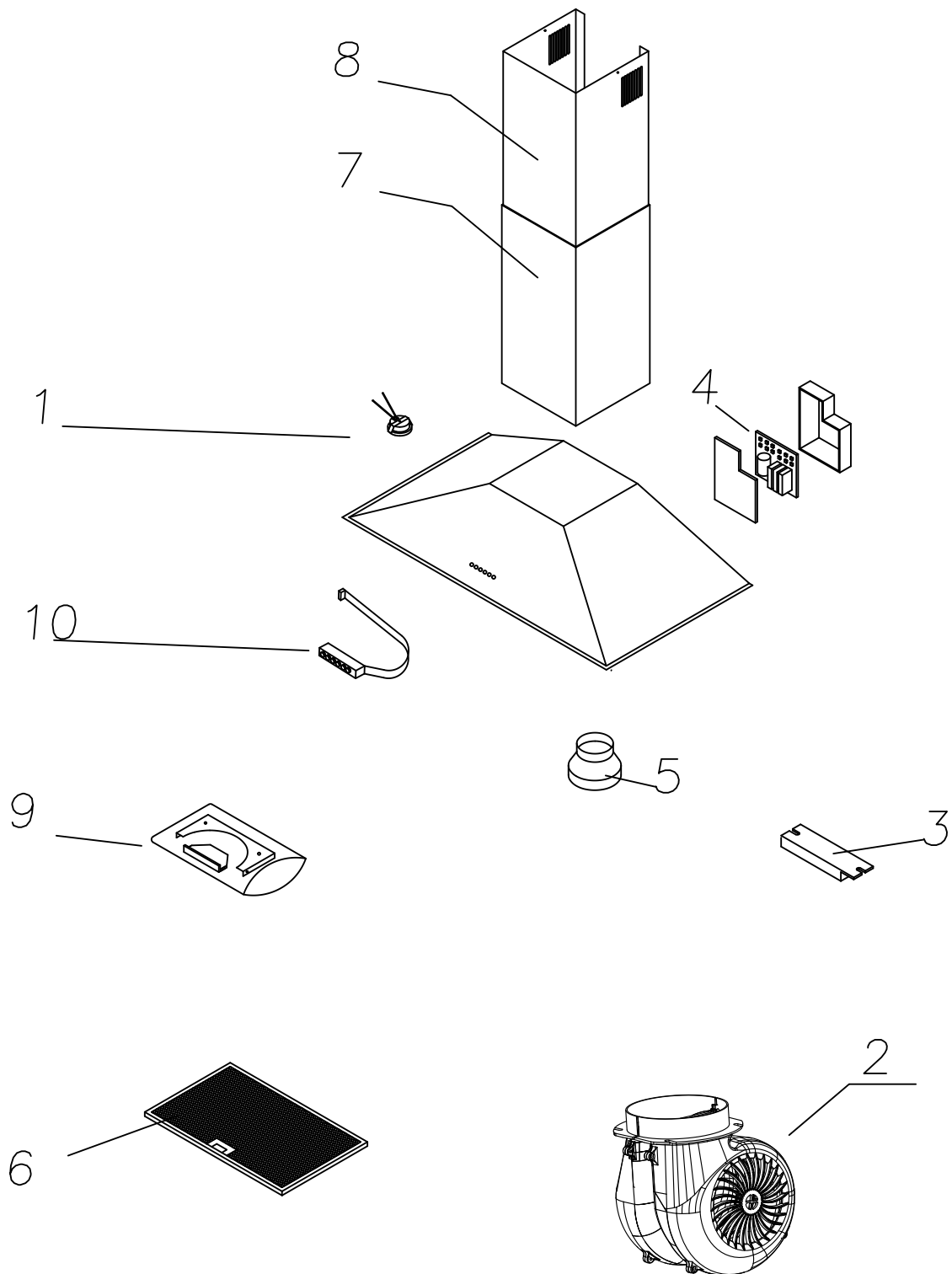


SU2



DEUSA000028



12-3-2019