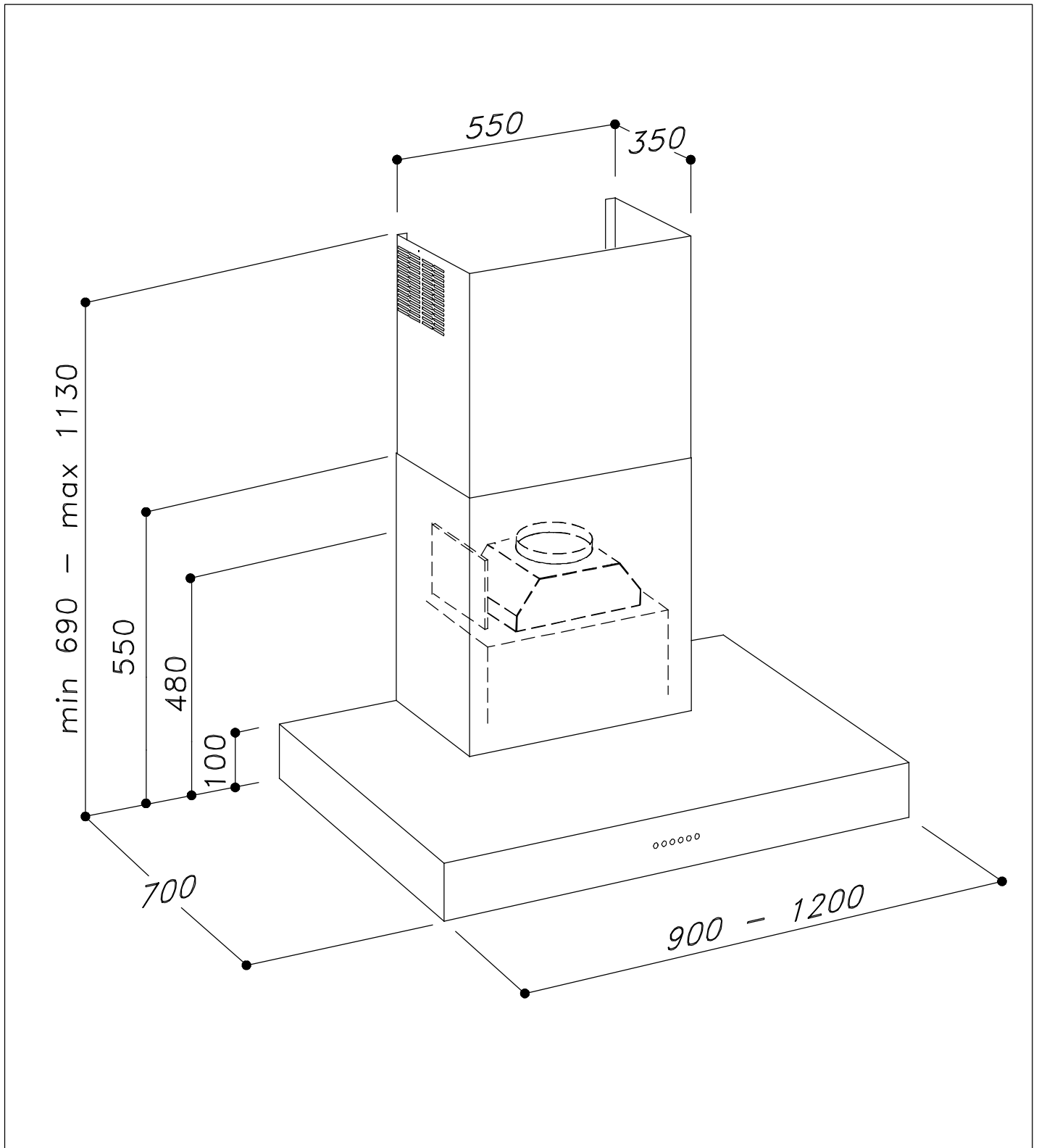


S 80



1 motor
2 motors