



SU901



SU901

- Motor: **2 x EBM 1100 cfm**
- Pressure: **800 Pa**
- Noise level: **66 dBA/5.1 sones**

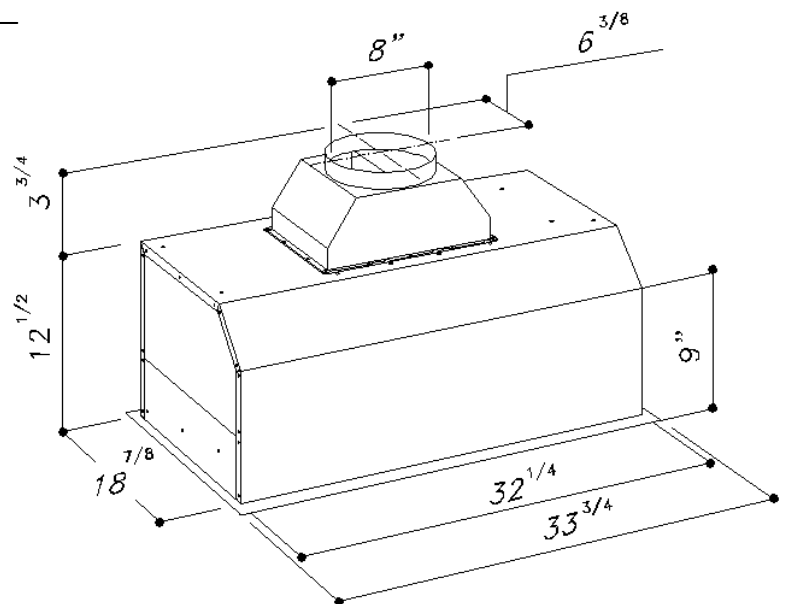


- Lighting: 2x20W Dichroic lamps



- Control panel: 4 speed push-button + timer delay off timer + light switch

- grease filter: commercial style baffle filters
- Liners available in 36", 42", 48"



Sirius