



SU54

SU54

SU54

- Motor: **2 x EBM 1000 cfm**
- Pressure: **800 Pa**
- Noise level: **66 dBA/5.1 sones**

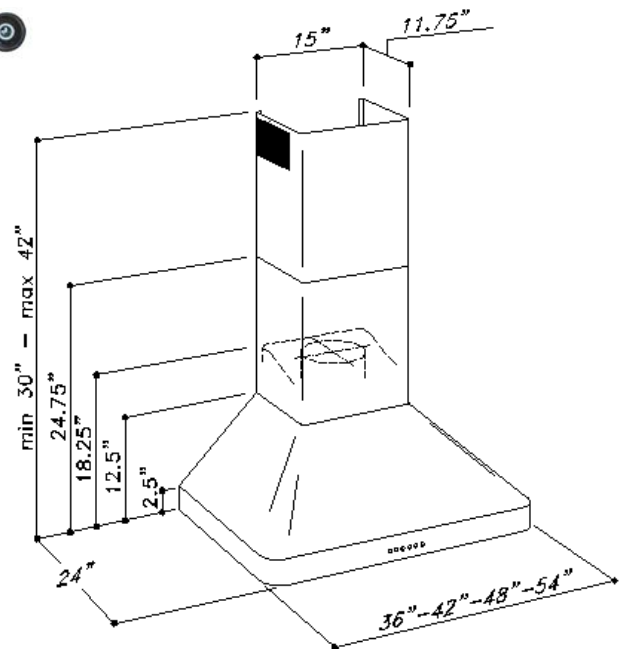


- Lighting:
 - 2x20W Halogen lamps in 36" version
 - 3x20W Halogen lamps in 42" version
 - 4x20W Halogen lamps in 48" version



- Control panel: 4 speed push-button + timer + light switch

- grease filter: commercial style baffle filters
- Stainless steel: AISI 430



Sirius