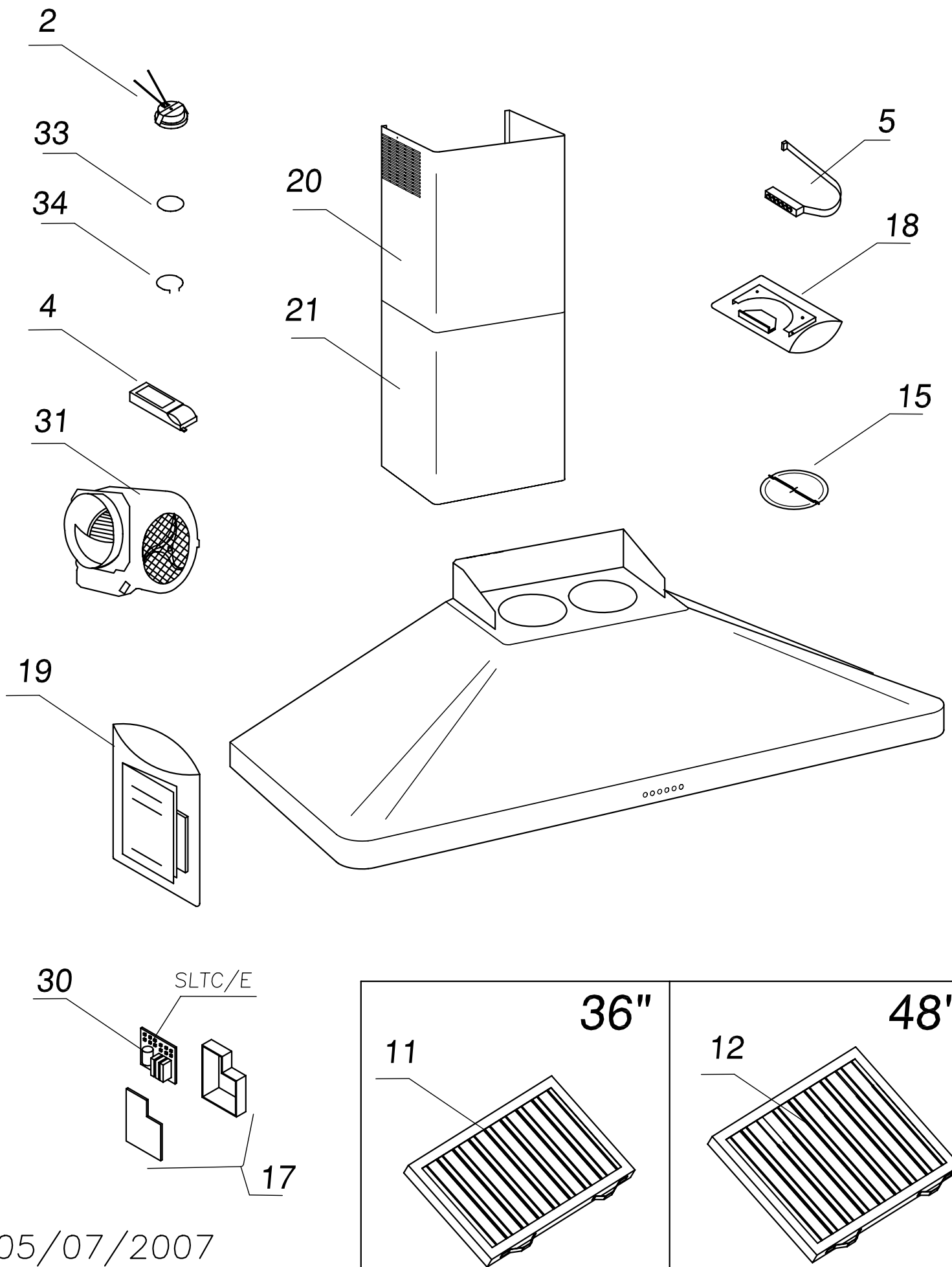


# SU54 ( 2 Motor)



05/07/2007