



# SUT900

## SUT 900

- Motor: 600 CFM  
Aluminium die-cast motor housing



- Pressure: 480 Pa  
- Noise level: 63 dBA /4,9 sones

- Lighting: 2 x 20 W halogen lamps



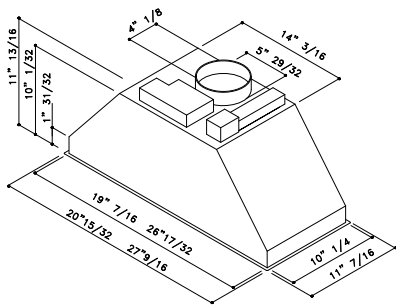
- Control panel: Remote control



- Grease filter: anodized aluminium (4+1 layers)  
- Air Outlet: 6" Round  
- Cut out: 10" 3/8 - 19" 19/32  
10" 3/8 - 26" 11/16

### - Accessories:

Charcoal filters: KF4 (order 2 pcs) 60080474002



SUT 900 20" 00915313201  
SUT 900 27" 00915313401